

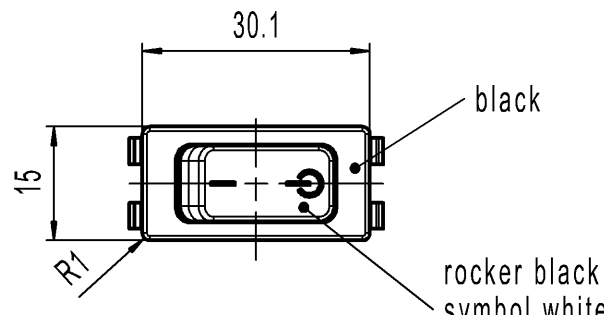
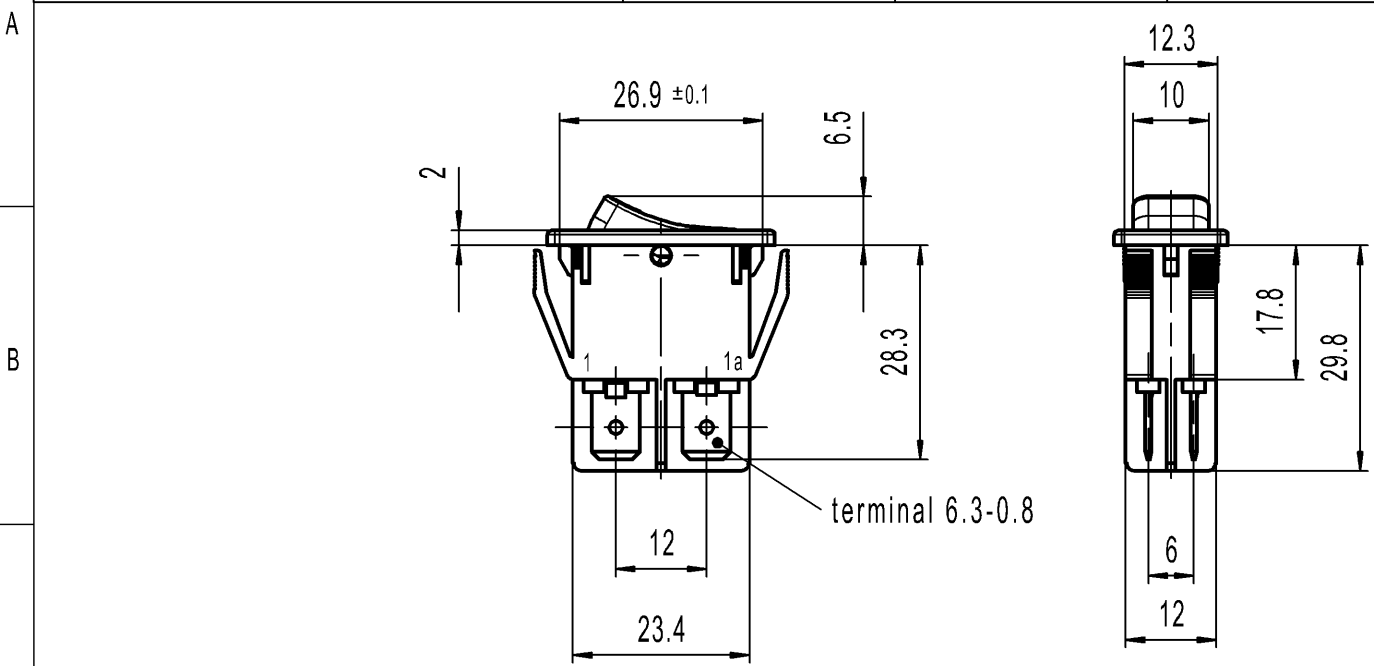
CONFIDENTIAL

VERTRAULICH

THIS DRAWING IS THE EXCLUSIVE PROPERTY OF MARQUARDT. WITHOUT THEIR CONSENT IT MAY NOT BE REPRODUCED OR GIVEN TO THIRD PARTIES.

Alle Rechte bei Marquardt, auch fuer den Fall von Schutzrechtsanmeldungen. Jede Veruegungsbefugnis, wie Kopier- und Weitergaberecht, bei uns.

1	2	3	4
recommended cut-out for snap-in fixing (edge opposite to snap-in direction)	wall thickness	length of cut-out	width of cut-out
	0.8 to 5.0	27.2 ±0.1	12.2+0.2

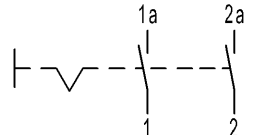


Marking

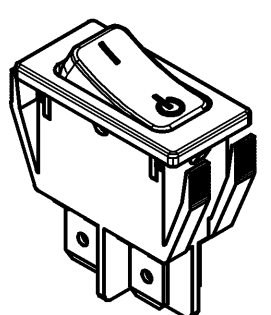
Ⓜ
155..
16 (4) / 250 ~ T100/55 T100
10 (4) / 250 ~ 5E4
5/100A 250V ~



16A 125-250V AC
1 HP 125V AC
2 HP 250V AC
R38



DPST
Suitable for appliances of class II



Code of manufacture:
place/year/week

-		-		-		1552.3111-XX	
Figure		Type		Customer No.		Art.No.-PI	
Shape and location	Angle ± 2 °	Length		Radii		Sheet	01
	Edge tolerance	0-6 ± 0.2	±	0-6 ± 0.2	±	Ident.	K
⊙ ≡		>6-15 ± 0.4	±	>6-15 ± 0.4	±	Document number	15523111
		>15-30 ± 0.4	±	>15-30 ± 0.4	±	Index	C
		>30-70 ± 0.6	±	>30-200 ±	±	Appliance Switch	
		>70-120 ±	±		±		
		>120-200 ±	±		±		
			±		±		
						All dimensions are in millimetres	
c	134536	2021-02-04	MATHPATIR	System	NX V11.0	 MARQUARDT	
b	69572	2010-10-04	HHE	Replacement of			
	28567	1999-11-30	MUT	Zg.gl.Nr.v.30.11.1999			
Index	MEC-No.	Date (YYYY-MM-DD)	Edited by				