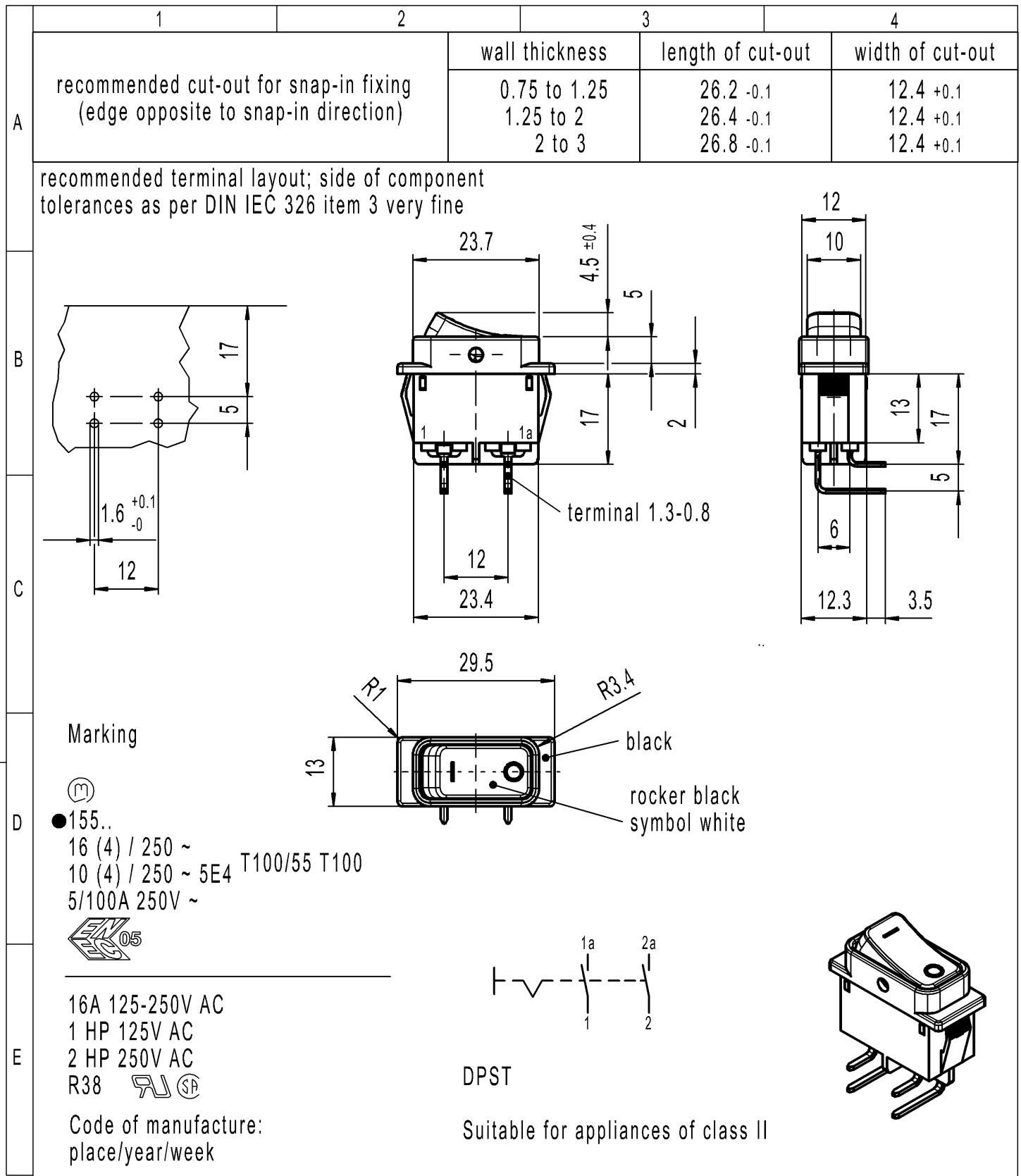


CONFIDENTIAL

VERTRAULICH

Alle Rechte bei Marquardt, auch fuer den Fall von Schutzrechtsanmeldungen. Jede Veruegungsbefugnis, wie Kopier- und Weitergaberecht, bei uns.

THIS DRAWING IS THE EXCLUSIVE PROPERTY OF MARQUARDT. WITHOUT THEIR CONSENT IT MAY NOT BE REPRODUCED OR GIVEN TO THIRD PARTIES.



-	-	-	1552.4606-XX																																			
Figure	Type	Customer No.	Art.No.-PI																																			
Shape and location	Angle ± 2 °	Sheet 01																																				
	Edge tolerance	Ident. K	Document number 15524606																																			
	<table border="1" style="width:100%; border-collapse: collapse;"> <thead> <tr> <th colspan="2">Length</th> <th colspan="2">Radii</th> </tr> <tr> <th>>0-6</th> <th>± 0.2</th> <th>>0-6</th> <th>± 0.2</th> </tr> </thead> <tbody> <tr> <td>>6-15</td> <td>± 0.4</td> <td>>6-15</td> <td>±</td> </tr> <tr> <td>>15-30</td> <td>± 0.4</td> <td>>15-30</td> <td>±</td> </tr> <tr> <td>>30-70</td> <td>±</td> <td>>30-200</td> <td>±</td> </tr> <tr> <td>>70-120</td> <td>±</td> <td></td> <td>±</td> </tr> <tr> <td>>120-200</td> <td>±</td> <td></td> <td>±</td> </tr> <tr> <td></td> <td>±</td> <td></td> <td>±</td> </tr> <tr> <td></td> <td>±</td> <td></td> <td>±</td> </tr> </tbody> </table>	Length		Radii		>0-6	± 0.2	>0-6	± 0.2	>6-15	± 0.4	>6-15	±	>15-30	± 0.4	>15-30	±	>30-70	±	>30-200	±	>70-120	±		±	>120-200	±		±		±		±		±		±	Index g All dimensions are in millimetres Appliance Switch
	Length		Radii																																			
>0-6	± 0.2	>0-6	± 0.2																																			
>6-15	± 0.4	>6-15	±																																			
>15-30	± 0.4	>15-30	±																																			
>30-70	±	>30-200	±																																			
>70-120	±		±																																			
>120-200	±		±																																			
	±		±																																			
	±		±																																			
g	134536	2020-11-24	MATHPATIR																																			
f	69572	2010-10-11	HHE																																			
d	23635	1996-01-16	RS																																			
c	22971	1994-09-21	MUT																																			
Index	MEC-No.	Date (YYYY-MM-DD)	Edited by																																			
		System NX V11.0																																				
		Replacement of																																				
		Zg.gl.Nr.v.05.09.1989																																				

