

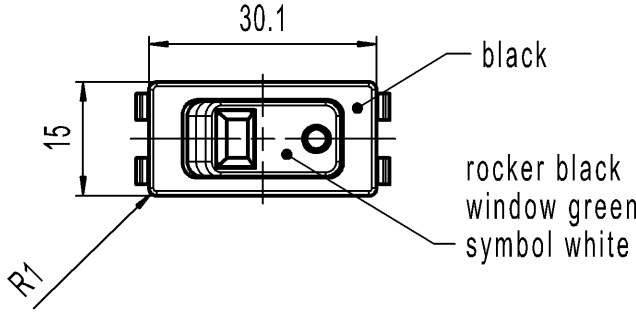
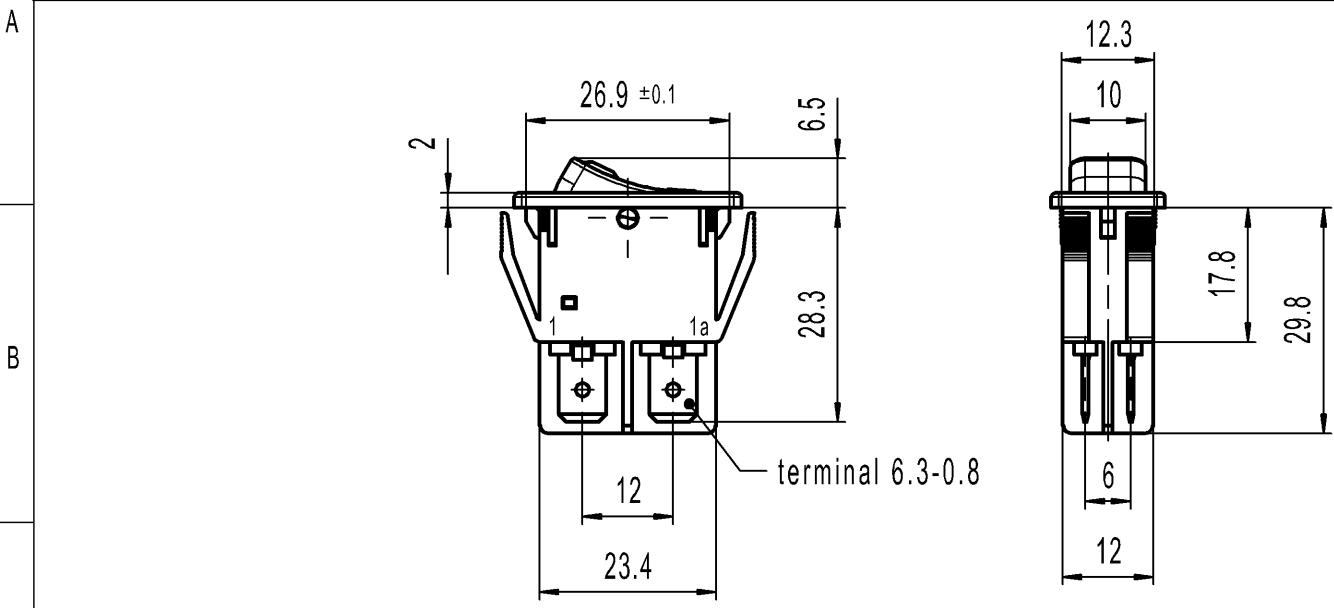
CONFIDENTIAL

VERTRAULICH


THIS DRAWING IS THE EXCLUSIVE PROPERTY OF MARQUARDT. WITHOUT THEIR CONSENT IT MAY NOT BE REPRODUCED OR GIVEN TO THIRD PARTIES.

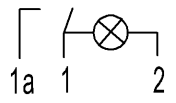
Alle Rechte bei Marquardt, auch fuer den Fall von Schutzrechtsanmeldungen. Jede Veruegungsbefugnis, wie Kopier- und Weitergaberecht, bei uns.

1	2	3	4
recommended cut-out for snap-in fixing (edge opposite to snap-in direction)	wall thickness	length of cut-out	width of cut-out
	0.8 to 5.0	27.2 ±0.1	12.2+0.2



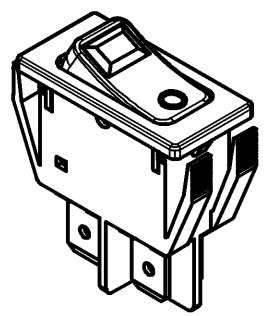
Marking

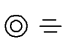
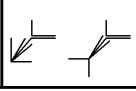


  
 ●155..  
 10A 12V T100



DPST

Code of manufacture: place/year/week      Incandescent lamp for 12V  
 Suitable for appliances of class II



-		-		-		1555.3111-XX			
Figure		Type		Customer No.		Art.No.-PI			
Shape and location	Angle ± 2 °	Length		Radii		Sheet 01	Ident. K	Document number 15553111	Index C
	Edge tolerance	0-6 ± 0.2	±	0-6 ± 0.2	±				
		>6-15 ± 0.4	±	>6-15 ±	±	All dimensions are in millimetres	Appliance Switch		
		>15-30 ± 0.4	±	>15-30 ±	±				
		>30-70 ± 0.6	±	>30-200 ±	±				
		>70-120 ±	±		±				
		>120-200 ±	±		±				
			±		±				
c	134536	2020-12-04		MATHPATIR		System NX V11.0	 <b>MARQUARDT</b>		
b	69572	2011-02-09		MUT					
a	41127	2004-11-08		HHE					
	40945	2004-08-16		HHE		Replacement of	 <b>MARQUARDT</b>		
Index	MEC-No.	Date (YYYY-MM-DD)		Edited by					