

CONFIDENTIAL

VERTRAULICH

THIS DRAWING IS THE EXCLUSIVE PROPERTY OF MARQUARDT. WITHOUT THEIR CONSENT IT MAY NOT BE REPRODUCED OR GIVEN TO THIRD PARTIES.

Alle Rechte bei Marquardt, auch fuer den Fall von Schutzrechtsanmeldungen. Jede Veruegungsbefugnis, wie Kopier- und Weitergaberecht, bei uns.

| | | | |
|--|----------------|-------------------|------------------|
| 1 | 2 | 3 | 4 |
| recommended cut-out for snap-in fixing (edge opposite to snap-in direction) | wall thickness | length of cut-out | width of cut-out |
| | 0.8 to 5.0 | 27.2 ±0.1 | 12.2±0.2 |

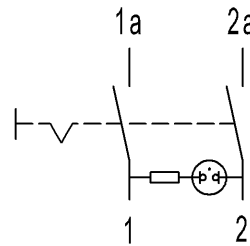
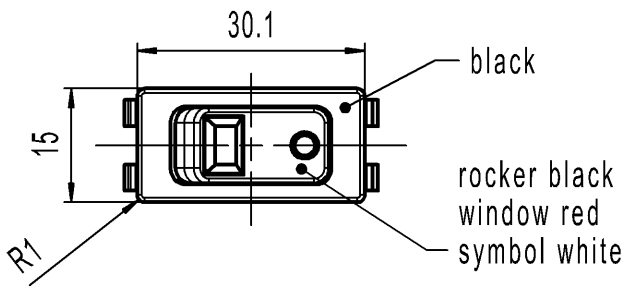
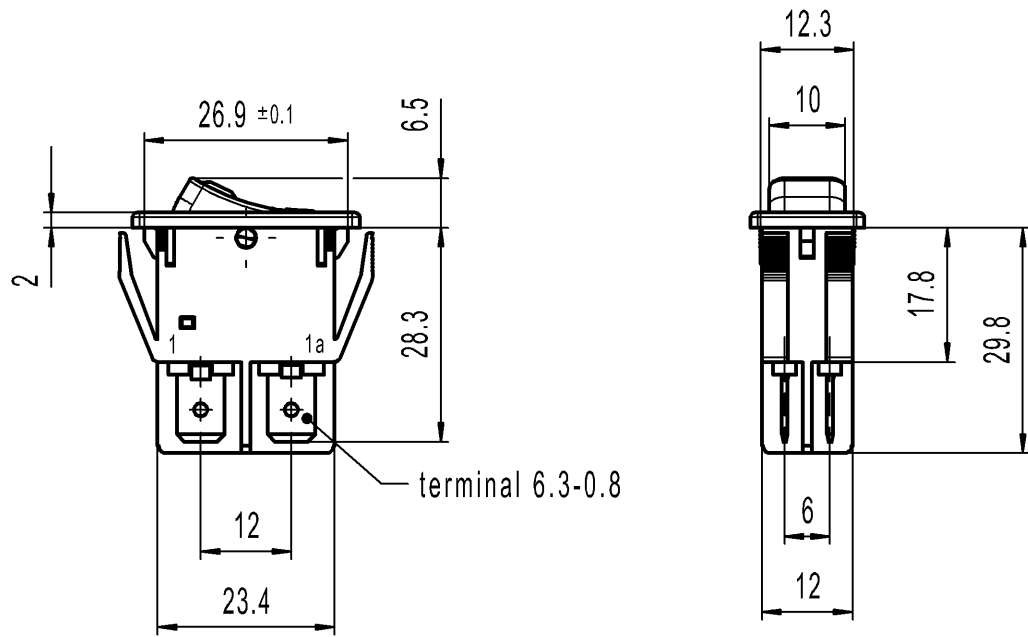
A

B

C

D

E



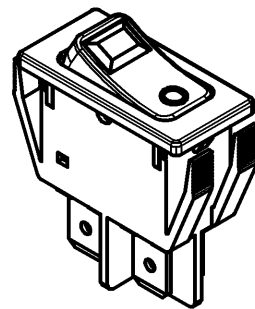
Marking

1555.
 16A 125V AC
 1 HP
 R144

DPST

Code of manufacture:
place/year/week

Neon lamp with R_v for 115V AC
Suitable for appliances of class II



| | | | | | | | |
|--------------------|----------------|-------------------|-----------|-----------------------------------|----------|------------------|----------|
| - | | - | | - | | 1555.3120-XX | |
| Figure | | Type | | Customer No. | | Art.No.-PI | |
| Shape and location | Angle ± 2 ° | Length | | Radii | | Sheet | 01 |
| | Edge tolerance | 0-6 ± 0.2 | ± | 0-6 ± | ± | Ident. | K |
| | | >6-15 ± 0.4 | ± | >6-15 ± | ± | Document number | 15553120 |
| | | >15-30 ± 0.4 | ± | >15-30 ± | ± | Index | e |
| | | >30-70 ± 0.6 | ± | >30-200 ± | ± | Appliance Switch | |
| | | >70-120 ± | ± | ± | ± | | |
| | | >120-200 ± | ± | ± | ± | | |
| | | ± | ± | ± | ± | | |
| e | 134536 | 2020-11-30 | MATHPATIR | All dimensions are in millimetres | | MARQUARDT | |
| d | 69572 | 2011-02-09 | MUT | Format DIN | A4 | | |
| c | 23635 | 1995-11-08 | RS | Projection | | | |
| b | 21323 | 1992-04-22 | MUT | Scale | 1:1 | | |
| Index | MEC-No. | Date (YYYY-MM-DD) | Edited by | System | NX V11.0 | Replacement of | |
| | | | | Zg.gl.Nr.v.21.04.1992 | | | |