

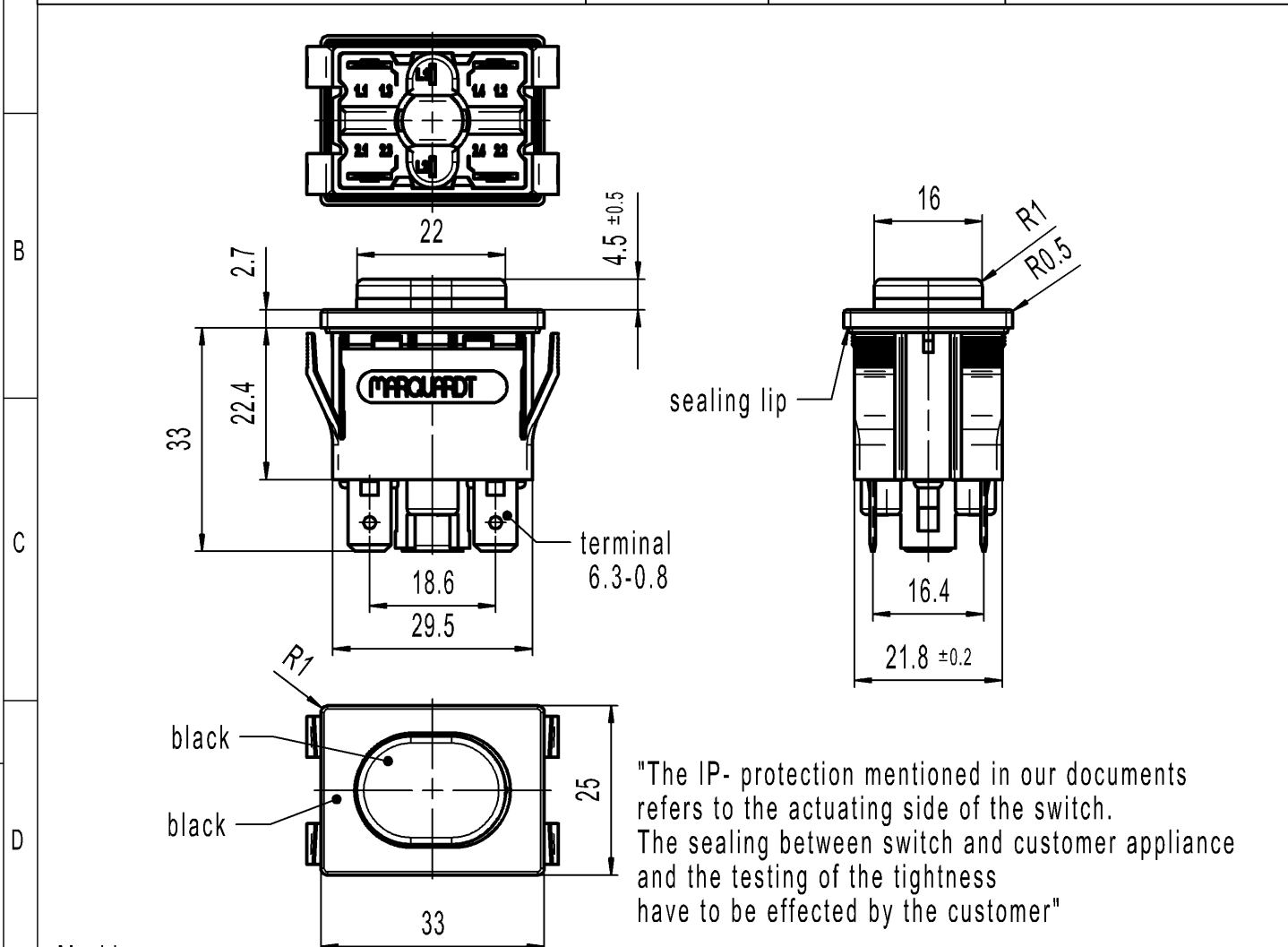
CONFIDENTIAL

VERTRAULICH

THIS DRAWING IS THE EXCLUSIVE PROPERTY OF MARQUARDT. WITHOUT THEIR CONSENT IT MAY NOT BE REPRODUCED OR GIVEN TO THIRD PARTIES.

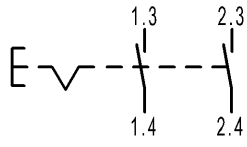
Alle Rechte bei Marquardt, auch fuer den Fall von Schutzrechtsanmeldungen. Jede Veruegungsbefugnis, wie Kopier- und Weitergaberecht, bei uns.

A	1	2	3	4	
	recommended cut-out for snap-in fixing (edge opposite to snap-in direction)		wall thickness	length of cut-out	width of cut-out
			0.8 to 5	30 +0.15	22.2 +0.15

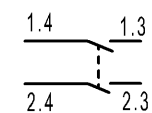
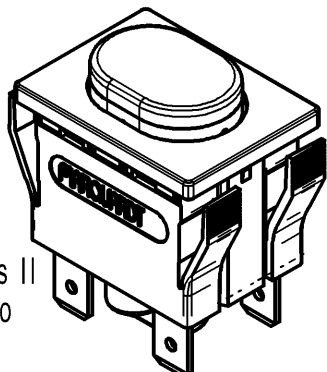


"The IP- protection mentioned in our documents refers to the actuating side of the switch. The sealing between switch and customer appliance and the testing of the tightness have to be effected by the customer"

Marking  
**MARQUARDT**<sup>®</sup>  
 1671.  
 16(4)/250~ T85/55



DPST  
 Total travel 4±0.4  
 Suitable for appliances of class II  
 Actuating side protected acc. to  
 DIN 40 050, IP 54



Code of manufacture: place/year/week

-	-	-	1671.5201-XX
Figure	Type	Customer Part No.	Art.No.-PI
Shape and location	Angle ± 2 °	Sheet 01	Ident. K
	Edge tolerance	Format DIN A4	Document number 16715201
	Length	Projection	Index f
	0-6 ± 0.2	Scale 1:1	Appliance Switch
	>6-15 ± 0.4	All dimensions are in millimetres	
	>15-30 ± 0.4		System NX V1872
	>30-70 ± 0.6	Replacement of	
	±		Zg.gl.Nr.v.14.09.1993
	±	MARQUARDT	
	±		MARQUARDT
	±	MARQUARDT	
f	137245		2021-04-30
e	36501	2003-09-01	VOR
d	32547	2002-08-28	WJ
c	28173	1999-10-11	MUT
Index	MEC-No.	Date (YYYY-MM-DD)	Edited by