

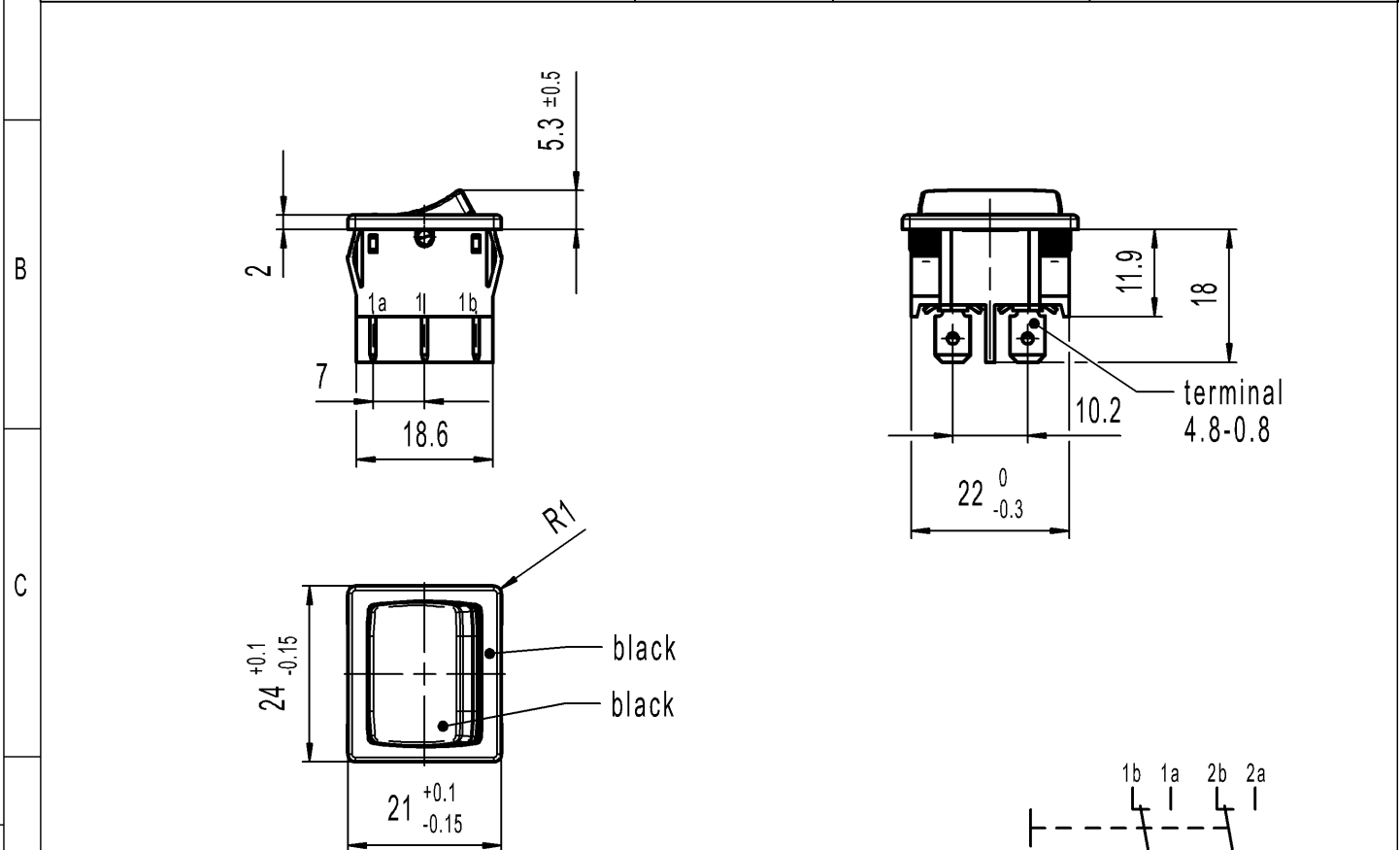
CONFIDENTIAL

VERTRAULICH

THIS DRAWING IS THE EXCLUSIVE PROPERTY OF MARQUARDT. WITHOUT THEIR CONSENT IT MAY NOT BE REPRODUCED OR GIVEN TO THIRD PARTIES.

Alle Rechte bei Marquardt, auch fuer den Fall von Schutzrechtsanmeldungen. Jede Veruegungsbefugnis, wie Kopier- und Weitergaberecht, bei uns.

A	1	2	3	4	
	recommended cut-out for snap-in fixing (edge opposite to snap-in direction)		wall thickness	length of cut-out	width of cut-out
			0.75 to 1.25	19.2-0.1	21.9+0.1
			1.25 to 2	19.4-0.1	21.9+0.1
		2 to 3	19.8-0.1	21.9+0.1	



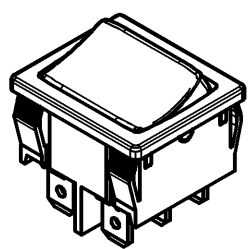
Marking
 1804.
 4(3)/250~6E3 T100/55

Double pole changeover
 Suitable for appliances of class II
 rocker and housing V0-material

G=matching IEC 60335-1:2001 clause 30

6A 125V AC
 4A 250V AC
 1/10HP 125-250V AC
 R52

Code of manufacture: place/year/week
 On box: G



-	-	-	1804.1204-XX
Figure	Type	Customer Part No.	Art.No.-PI
Shape and location	Angle ± 2°	Sheet 01	Ident. K
	Edge tolerance	Format DIN A4	Document number 18041204
	Length	Projection	Index b
	Radii	Scale 1:1	Appliance Switch
		All dimensions are in millimetres	
b	137892	System NX V1872	
a	62436	Replacement of	
	49060	Zg.gl.Nr.v.15.11.2006	
Index	MEC-No.		
	Date (YYYY-MM-DD)		