

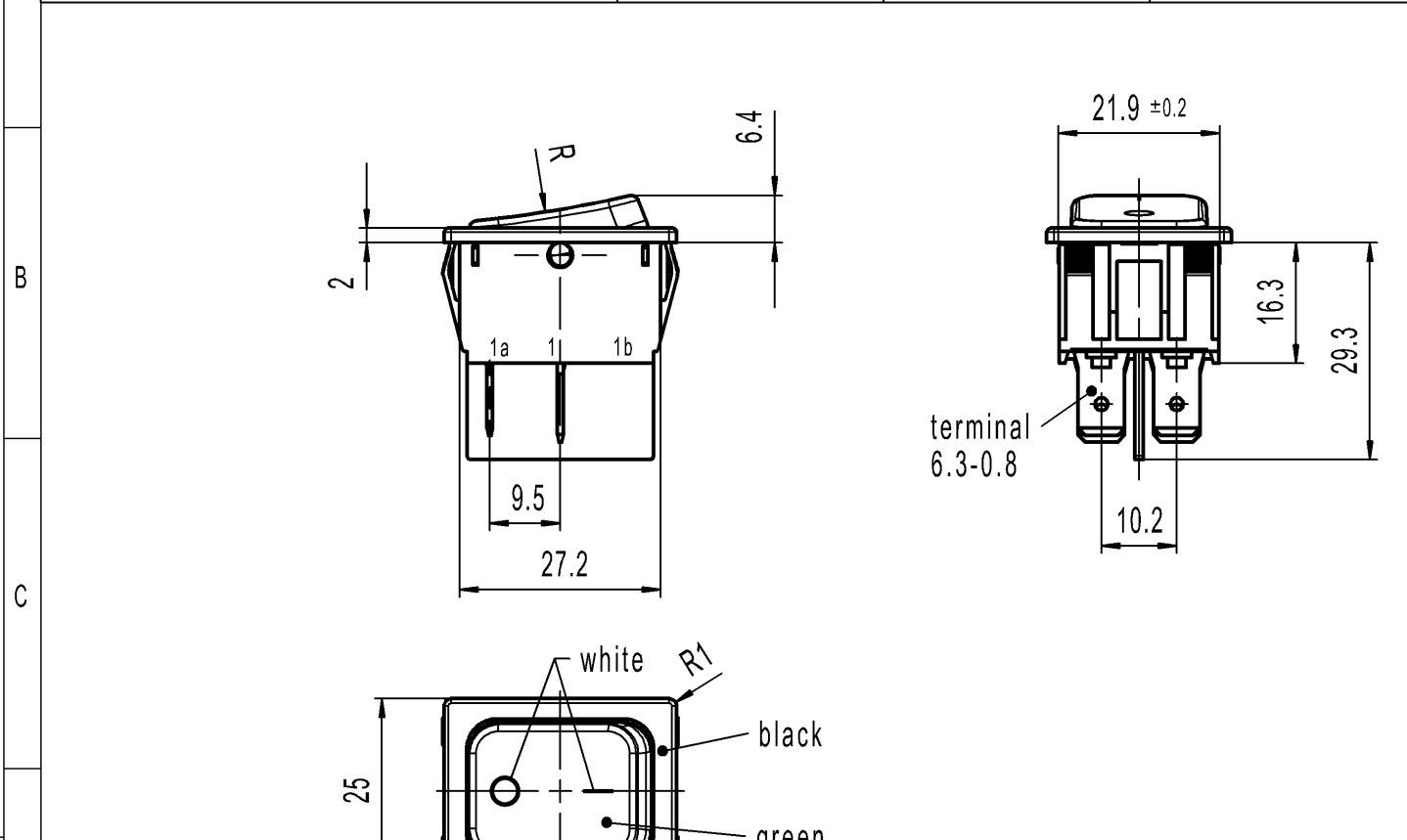
CONFIDENTIAL

VERTRAULICH

THIS DRAWING IS THE EXCLUSIVE PROPERTY OF MARQUARDT. WITHOUT THEIR CONSENT IT MAY NOT BE REPRODUCED OR GIVEN TO THIRD PARTIES.

Alle Rechte bei Marquardt, auch fuer den Fall von Schutzrechtsanmeldungen. Jede Veruegungsbefugnis, wie Kopier- und Weitergaberecht, bei uns.

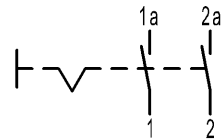
A	1	2	3	4	
	recommended cut-out for snap-in fixing (edge opposite to snap-in direction)		wall thickness	length of cut-out	width of cut-out
			0.75 to 1.25 1.25 to 2 2 to 3	30.0 -0.1 30.2 -0.1 30.6 -0.1	22 +0.2 22 +0.2 22 +0.2



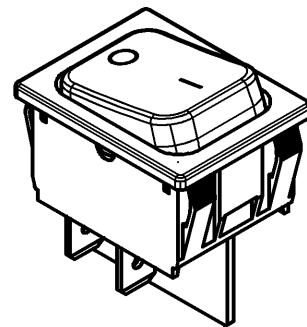
Marking:  
 (M)  
 1832.  
 6(4)/250~5E4  
 10(4)/250~ T105/55



6A 125-250V AC  
 1/4HP 125V AC  
 1/2HP 250V AC  
 R30



DPST  
 Suitable for appliances of class II



Code of manufacture: place/year/week

-		-		-		1832.3306-XX	
Figure		Type		Customer Part No.		Art.No.-PI	
Shape and location	Angle ± 2°	Length		Radii		Sheet	01
	Edge tolerance	0-6 ± 0.2	±	0-6 ± 0.2	± 0.2	Ident.	K
		>6-30 ± 0.4	±	>6-30 ± 0.4	± 0.4	Document number	18323306
		>30-70 ± 0.6	±	>30-200 ± 10%	± 10%	Index	e
						Appliance Switch	
						All dimensions are in millimetres	
e	138977	2021-10-19		MATHPATIR		System NX V1872	
d	64507	2009-11-11		HHE		Replacement of	
c	39880	2004-03-16		HHE		Zg.gl.Nr.v.21.02.1996	
b	24370	1996-10-31		GRH			
Index	MEC-No.	Date (YYYY-MM-DD)		Edited by		<b>MARQUARDT</b>	