

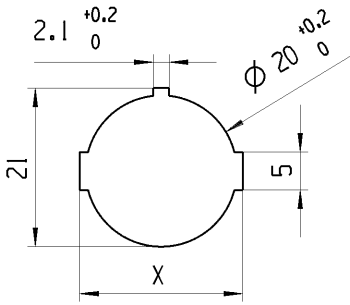
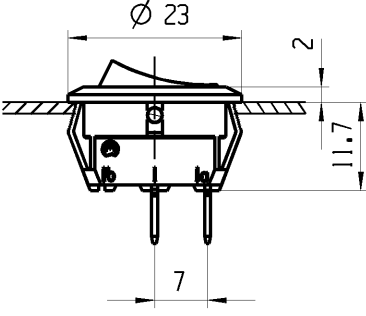
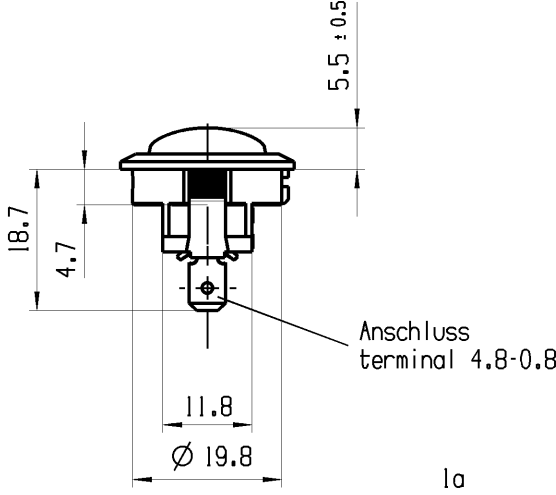
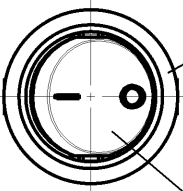
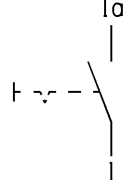

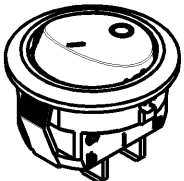
CONFIDENTIAL

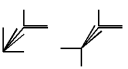


VERTRAULICH

Alle Rechte bei Marquardt, auch fuer den Fall von Schutzrechtsanmeldungen. Jede Veruegungsbefugnis, wie Kopier- und Weitergaberecht, bei uns.

©

THIS DRAWING IS THE EXCLUSIVE PROPERTY OF MARQUARDT. WITHOUT THEIR CONSENT IT MAY NOT BE REPRODUCED OR GIVEN TO THIRD PARTIES.

| | | | | | | | | | | |
|-----------|--|--|--|---|-----------|-----------|-----------|-----------|---|--|
| | 1 | 2 | 3 | 4 | | | | | | |
| A | <p>Empfohlener Plattenausschnitt suggested panel cutout</p>  | <p>Plattendicke panel thickness</p> <table border="1" style="width: 100%; border-collapse: collapse;"> <tr> <td>0.75-1.25</td> <td>21.2 -0.1</td> </tr> <tr> <td>1.25-2.00</td> <td>21.4 -0.1</td> </tr> <tr> <td>2.00-3.00</td> <td>21.8 -0.1</td> </tr> </table> | 0.75-1.25 | 21.2 -0.1 | 1.25-2.00 | 21.4 -0.1 | 2.00-3.00 | 21.8 -0.1 | X | |
| 0.75-1.25 | 21.2 -0.1 | | | | | | | | | |
| 1.25-2.00 | 21.4 -0.1 | | | | | | | | | |
| 2.00-3.00 | 21.8 -0.1 | | | | | | | | | |
| B |  | | | | | | | | | |
| C | | |  | | | | | | | |
| D |  <p>Aufschrift Marking</p> <p>Ⓜ</p> <p>18.. 8(8)/250~5E4 12(14)/250~ 5/70A 250V~ T100/55 05</p> | <p>schwarz black</p> <p>Wippe schwarz Zeichen weiss rocker black symbol white</p> |  <p>Ausschalter 1-polig Fuer Gerate der Klasse II geeignet Wippe und Gehaeuse VO-Material</p> <p>SPST suitable for appliances of class II rocker and housing VO-material</p> <p>G=Konform nach IEC 60335-1:2001 Kap.30 G=matching IEC 60335-1:2001 clause 30</p> | | | | | | | |
| E | <p>RI49 </p> <p>Herstellort/ -jahr/ -woche Code of manufacture: place/year/week</p> <p>Auf Verpackung/on box: G</p> | <p>Aufschriftbeschreibung marking description</p> <p>RI49: 15A 125-250V AC 3/4 HP 125V AC 1 1/2 HP 250V AC</p> | |  | | | | | | |

| | | | |
|--|----------------|---|---|
| - | - | - | 1881.1106-XX |
| Figure | Type | Customer Part No. | Art.No.-PI |
| <p>Shape and location</p> <p>⊙ ≡</p>  | Angle ± 2 ° | Length | Radii |
| | Edge tolerance | 0-6 ± 0.2 >6-15 ± 0.4 >15-30 ± 0.4 >30-70 ± >70-120 ± >120-200 ± | 0-6 ± 0.2 >6-15 ± 0.4 >15-30 ± 0.4 >30-200 ± 10% |
| b | 149680 | 2023-09-22 | MUT |
| a | 54873 | 2007-10-26 | LX |
| | 45331 | 2006-03-03 | MUT |
| Index | MEC-No. | Date (YYYY-MM-DD) | Edited by |
| Sheet 01 | | Ident. K | Document number 18811106 |
| Format DIN A4 | | Projection  | Scale 1:1 |
| All dimensions are in millimetres | | | |
| System NX V1899 | | Appliance Switch | |
| Replacement of V05140500 | |  MARQUARDT | |