

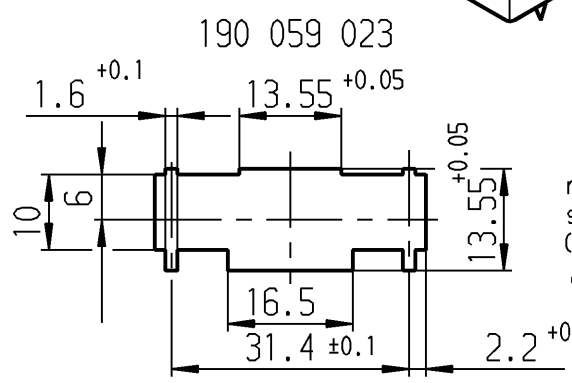
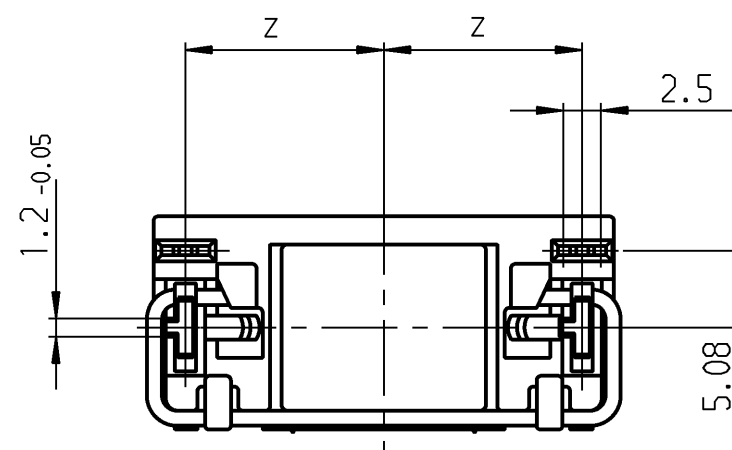
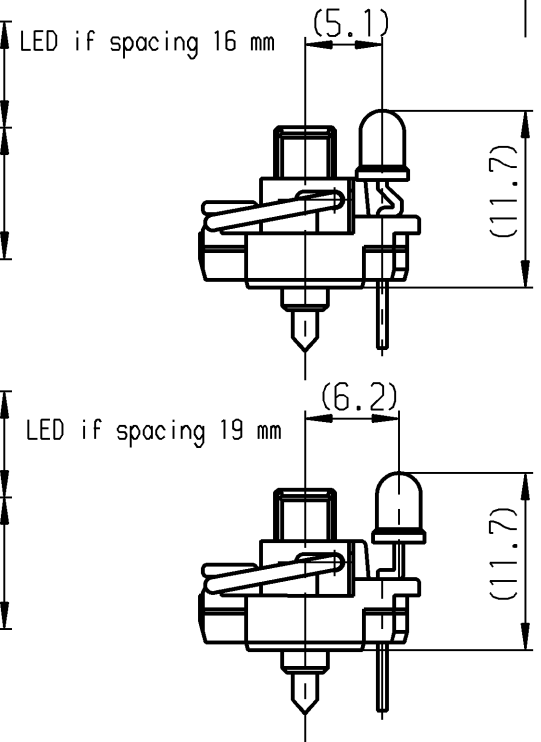
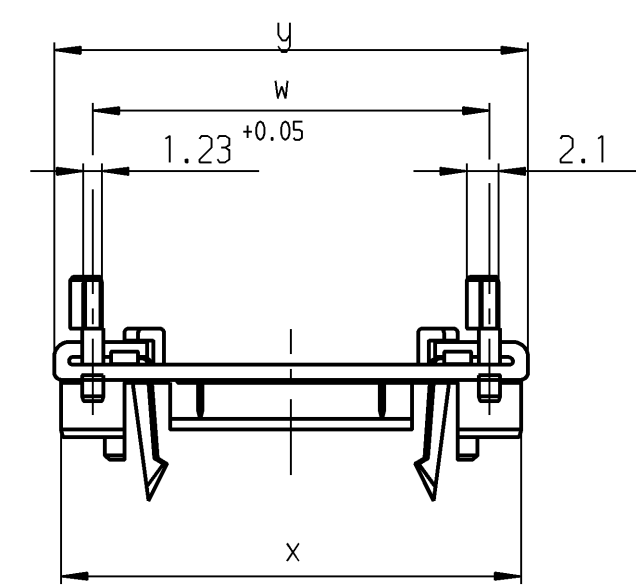
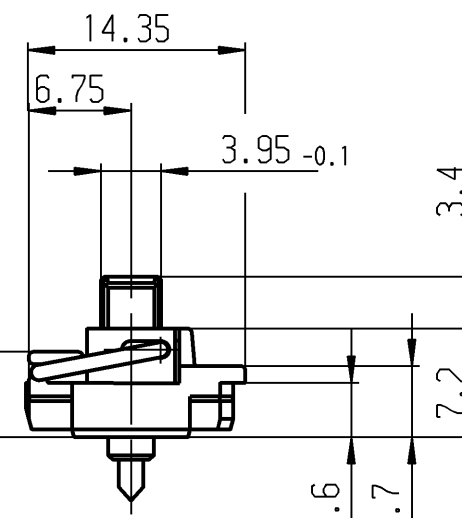
key cap
(to be ordered separately)

keymodule 6425.1101
(to be ordered separately)

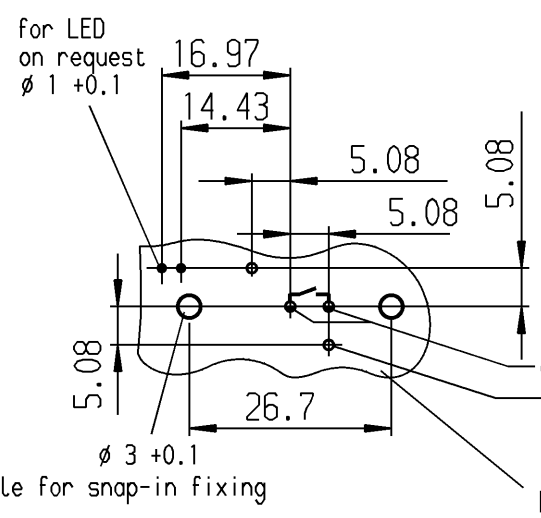
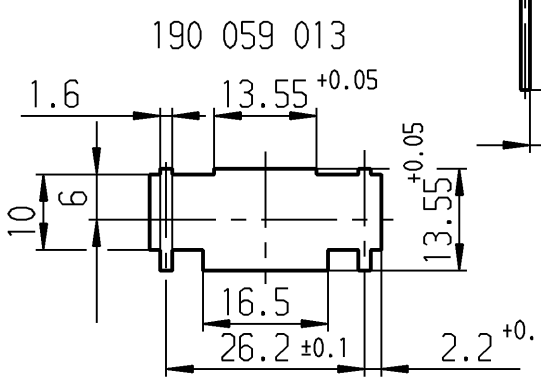
recommended dimensions of LED
(to be ordered separately)

ø2.9 - 3.4

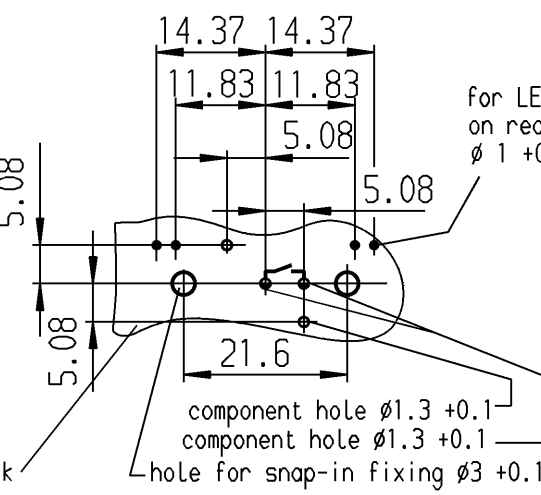
ø2.8 - 3.2



1 : 1
recommended cut-out for snap-in fixing
(edge opposite to snap-in direction)



recommended terminal layout,
side of component; tolerance
as per DIN IEC 326 item 3
very fine



for LED on request
ø 1 +0.1

3 fold spacing 19 mm without LED	3 fold spacing 16 mm without LED	2 fold spacing 19 mm with and without LED	31.3	35.5	37	15.7	190.059.023
		2 fold spacing 16mm with and without LED	26.2	30.6	31.3	13.1	190.059.013
Key cap			w	x	y	z	Produkt-Nr.

Schutzvermerk
nach DIN 34 beachten
COPYRIGHT RESERVED

Allgemeintoleranzen/UNTOLERANCED DIMENSIONS			PROJECTION		Pause COPY	Blatt SHEET	Zeichn./DRAWING NO.		
Für Längen und Radien FOR LENGTHS AND RADII.	Abmaße in mm für Nennmaßbereich in mm ALL DIMENSIONS ARE IN MILLIMETRES				0 10 20 30 mm	Original DIN A3	Maßstab SCALE 2:1	SE	190.059.013
	bis/UP TO 6	über/OVER 6 bis/UP TO 30	über/OVER 30					Leveling devices	
±	0.2	0.3	0.4					gez./DRAWN BY 11.06.90 ws gepr./CHECKED BY Sa	
d				i				Ersatz für/REPLACEMENT OF	
c				h				MARQUARDT	
b				g				Marquardt GmbH, D-78604 Rietheim-Weilheim	
a	0	16.01.95	ws	f					
Ausg. ISSUE	Anderung REVISION	gez. DRAWN BY		e					