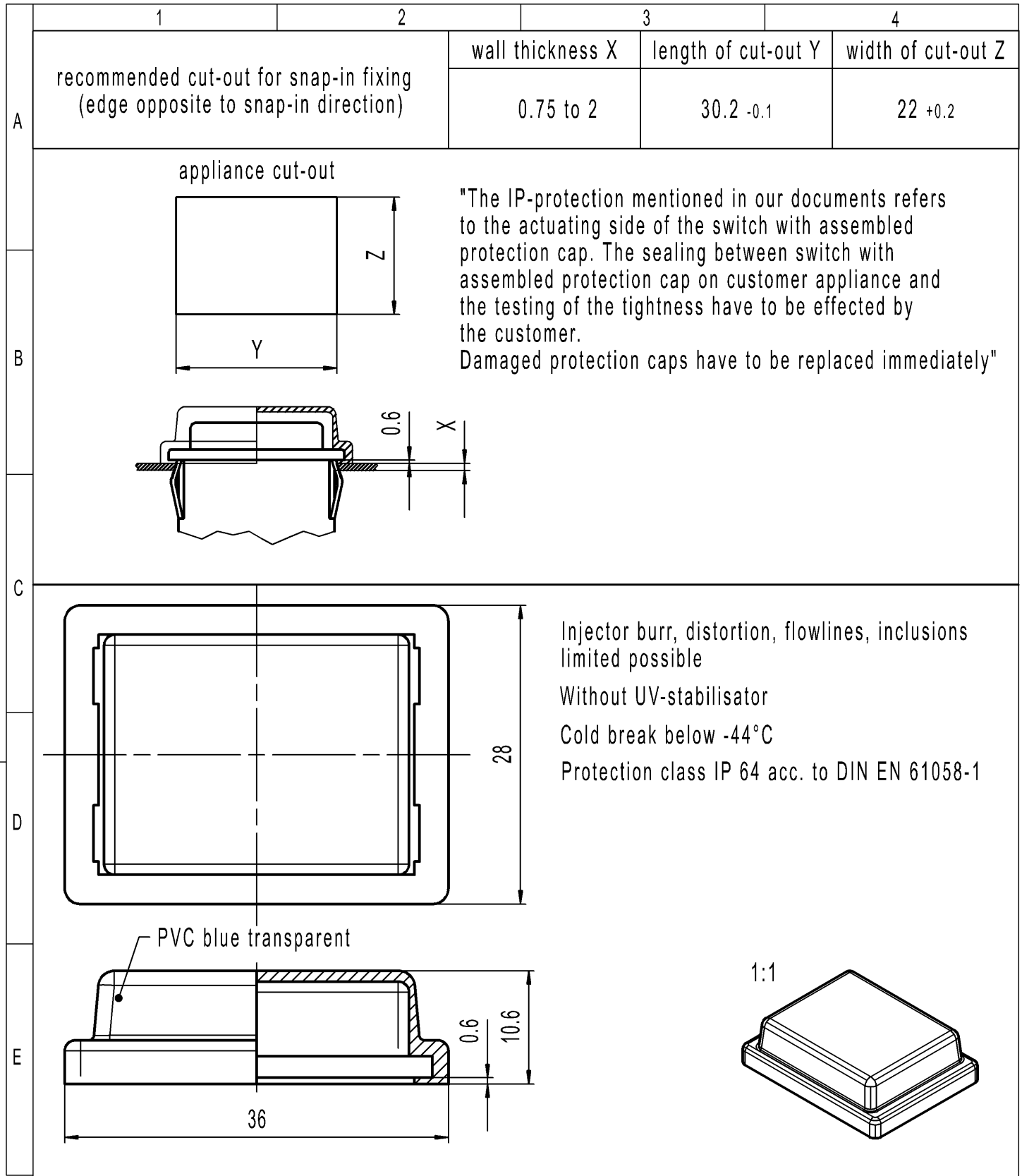


CONFIDENTIAL

VERTRAULICH

THIS DRAWING IS THE EXCLUSIVE PROPERTY OF MARQUARDT. WITHOUT THEIR CONSENT IT MAY NOT BE REPRODUCED OR GIVEN TO THIRD PARTIES.

Alle Rechte bei Marquardt, auch fuer den Fall von Schutzrechtsanmeldungen. Jede Veruegungsbefugnis, wie Kopier- und Weitergaberecht, bei uns.



-	-	-	203.201.011-XX																																			
Figure	Type	Customer Part No.	Art.No.-PI																																			
Shape and location	Angle $\pm 2^\circ$	Sheet 01																																				
	Edge tolerance	Ident. K	Document number 203201011																																			
☉ ≡	<table border="1" style="font-size: small;"> <tr> <th colspan="2">Length</th> <th colspan="2">Radii</th> </tr> <tr> <td>0-6</td> <td>± 0.2</td> <td></td> <td>\pm</td> </tr> <tr> <td>>6-30</td> <td>± 0.4</td> <td></td> <td>\pm</td> </tr> <tr> <td>>30-70</td> <td>± 0.6</td> <td></td> <td>\pm</td> </tr> <tr> <td></td> <td>\pm</td> <td></td> <td>\pm</td> </tr> <tr> <td></td> <td>\pm</td> <td></td> <td>\pm</td> </tr> <tr> <td></td> <td>\pm</td> <td></td> <td>\pm</td> </tr> <tr> <td></td> <td>\pm</td> <td></td> <td>\pm</td> </tr> <tr> <td></td> <td>\pm</td> <td></td> <td>\pm</td> </tr> </table>	Length		Radii		0-6	± 0.2		\pm	>6-30	± 0.4		\pm	>30-70	± 0.6		\pm		\pm		\pm		\pm		\pm		\pm		\pm		\pm		\pm		\pm		\pm	Index d
Length		Radii																																				
0-6	± 0.2		\pm																																			
>6-30	± 0.4		\pm																																			
>30-70	± 0.6		\pm																																			
	\pm		\pm																																			
	\pm		\pm																																			
	\pm		\pm																																			
	\pm		\pm																																			
	\pm		\pm																																			
d	138977	2021-10-22	MATHPATIR																																			
c	77500	2012-03-06	MUT																																			
b	52039	2007-06-11	VOR																																			
a	36502	2003-09-08	VOR																																			
Index	MEC-No.	Date (YYYY-MM-DD)	Edited by																																			
		Format DIN A4	Projection Scale 2:1																																			
		All dimensions are in millimetres																																				
		System NX V1872	MARQUARDT																																			
		Replacement of Zg.gl.Nr.v.03.09.2003																																				